

Eberl Iron Works, Inc.

Order Form Manual for Stair Pans, Stair Treads and Bent Plate



NEW:

VISIT US ONLINE AT
WWW.STAIRPANS.COM

Eberl Iron Works, Inc.

128 Sycamore St. Buffalo, NY 14204

Ph: 716-854-7633, 1-800-285-3056

Fx: 716-854-1184

E-mail: Sales@eberliron.com

www.stairpans.com



Eberl Iron Works, Inc. Order Form Manual



Eberl Iron Works, Inc. provides custom-formed stair pan risers, floor plate stair treads and bent plate to the miscellaneous and structural steel markets.

Our extensive inventory permits us to fill orders in time frames required by our customers. Let our customer service department help you with your next stair job.

The Eberl team is composed of men and women dedicated to customer service, quality products and respect for each other.

Eberl Iron Works, Inc is an eighty five year old family owned business. We began as a small welding and fabrication shop founded on the principles of service and a commitment to excellence. We have grown over the years as a result of our commitment to these principles. Today our customers can expect a difference when dealing with our fabrication and service teams.

We look forward to working with your company in the future.

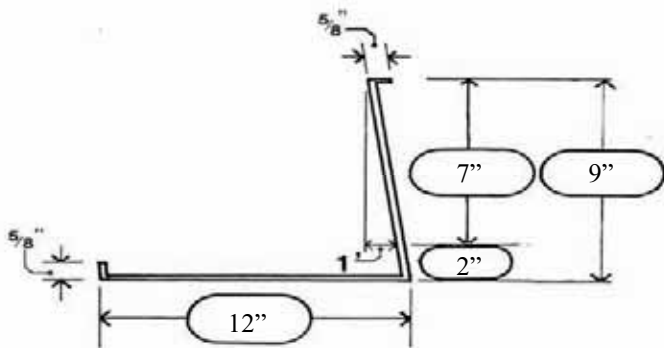
How To Use This Manual

This manual was designed to help customers obtain quotes for stair pans, treads and bent plate. Locate the form required. Fill in all dimensions including quantity, material thickness, length and markings required. Note special requirements for notching, punching and painting. Fax the completed forms to the Eberl Iron Works customer service department for your quote.

Internet

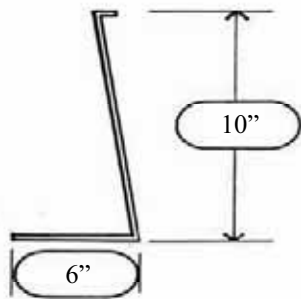
Quotes can also be obtained via www.stairpans.com. This new website is the only one of its kind for stair pan quotes. Quotes can be viewed, updated and more. Open an account by filling in your company's information and a quote will be quickly returned.

Sample:



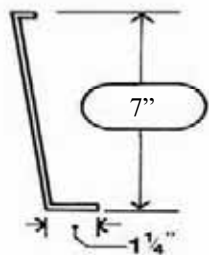
Quantity Gauge Length Mark

25	12 GA	42"	1P2



Quantity Gauge Length Mark

1	12GA	42"	1P3



Quantity Gauge Length Mark

1	12GA	42"	1P1

EBERL
IRON WORKS, INC.

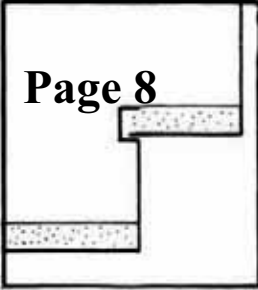
Ph: 716-854-7633 * Fax: 716-854-1184

CUSTOMER SAMPLE CUSTOMER	SCALE
CUSTOMER ORDER NO. 123456	DATE
CUSTOMER JOB NAME SAMPLE WORK PROJECT	Pan Type
EBERL SHOP ORDER NO.	3A

STAIR PAN TYPE RISERS

COMBINATION
TREAD & RISER

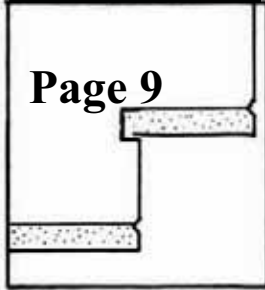
Page 8



Type 1A

with SANITARY
COVE

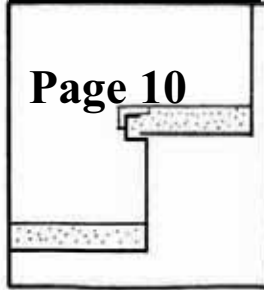
Page 9



Type 1B

with NOSING

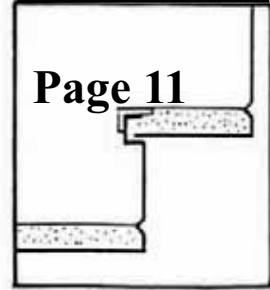
Page 10



Type 1C

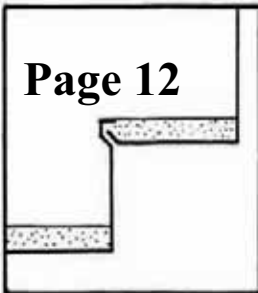
with NOSING &
SANITARY COVE

Page 11



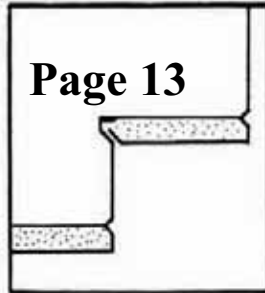
Type 1D

Page 12



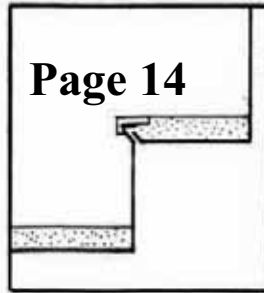
Type 2A

Page 13



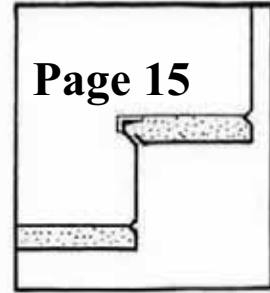
Type 2B

Page 14



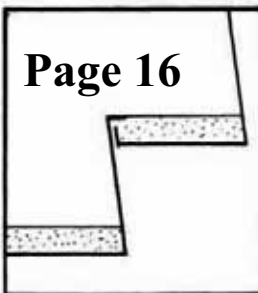
Type 2C

Page 15



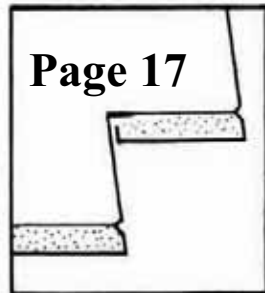
Type 2D

Page 16



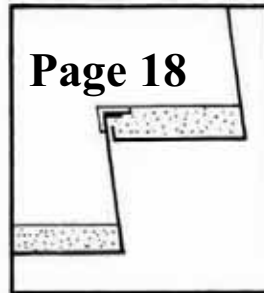
Type 3A

Page 17



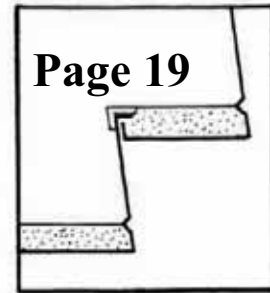
Type 3B

Page 18



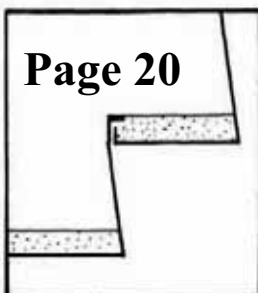
Type 3C

Page 19



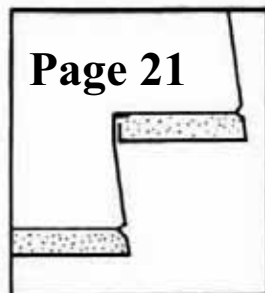
Type 3D

Page 20



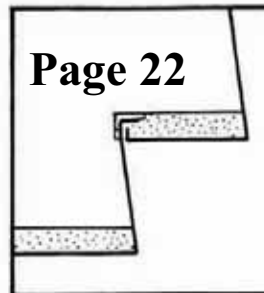
Type 4A

Page 21



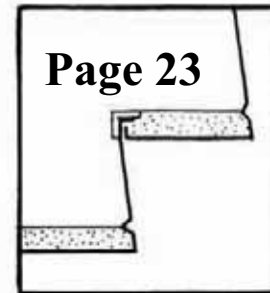
Type 4B

Page 22



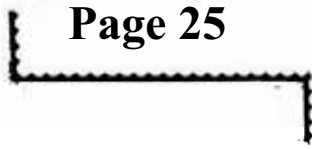
Type 4C

Page 23

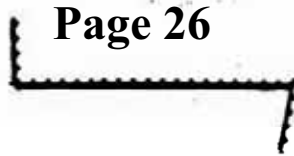


Type 4D

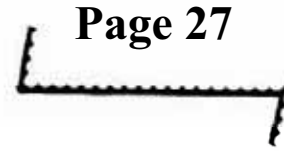
FLOOR PLATE STAIR TREADS



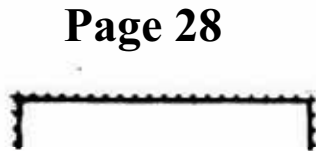
Type 20



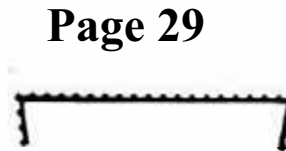
Type 21



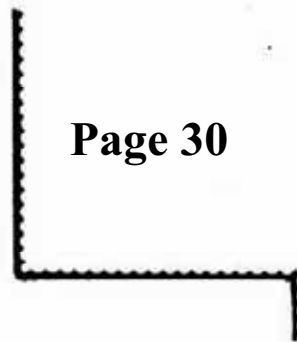
Type 22



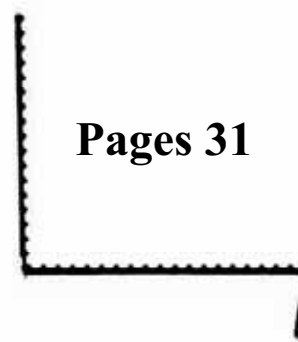
Type 23



Type 24



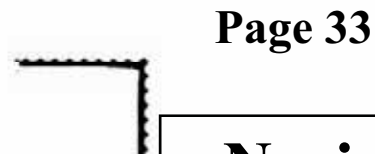
Type 25



Type 26



Type 27



Nosings

**CARRIER
ANGLES**

CA

**Landing
Pans**

LP

**BENT
PLATE**

BP

Page 33

Page 24

Page 34

Unistrut Buffalo Division is a Distributor of:

SUPPORT PRODUCTS

Unistrut®

Unistrut® Metal Framing Systems
Unistrut® Aluminum & Stainless
Steel Strut Systems
Unistrut® Fiberglass Strut Systems
Telestrut® Telescoping Strut
PrimeAngle™ Slotted Angle System
Concrete Inserts
United Interlock® Grating
Roofwalks® Rooftop Walkway
Systems
Food Grade Strut™
Cut-N-Strut™ Unistrut Channel Cutter

Allied Tube & Conduit

Square-Fit® Telescopic Square Tubing
Allied Galvanized Mechanical Tubing
Allied Plain Mechanical Tubing

Lindapter®

Steel Work Connections
Service Supports
Floor Connections
Steel Cavity Connections

Clic®/Strutcatcher™

Pipe Support System

Zsi Cushioned Pipe Clamps

Cush-a-Clamp®

R-Port

Rooftop Support Systems
UniPier Rooftop Pipe Support System

SUPPORT PRODUCTS (cont)

Kee Klamp®

Slip-On Pipe Fittings
KeeGuard® Roof Edge Protection
System

Anvil®

Pipe Hangers & Supports

Snap-N-Strut

Plastic Pipe Clamp System

Miscellaneous

Threaded Rod
Fasteners
Angle Iron
Flat, Square, Round Stock
Structural Tubing & Channels
Steel Bollards

SAFETY GRATINGS

GS Metals

Grip Strut® Safety Grating
Heavy-Duty Grip Strut® Safety
Grating
Perf-O-Grip® Safety Grating
Traction Tread™ Grating &
Flooring
Grate-Lock™ Mezzanine Grating
Lambda-Lok® Mezzanine /
Industrial Flooring

Wooster Products

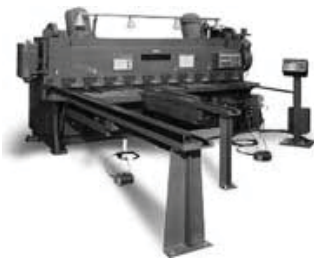
Anti-Slip Safety Stair Tread



EBERL
IRON WORKS, INC.

128 Sycamore Street
Buffalo, NY 14204
1-800-285-3056
Fx: 716-854-1184
www.stairpans.com
Sales@eberliron.com

Eberl Iron Works, Inc. Metal Fabrication Capacities



1/2"-12' Shear

SHEARING CAPACITIES

Plate Shear

20 GA Min Thickness
1/2" PL Max Thickness
12' Max Length

Flat Bar Shear

1" Thick x 12" Wide
3/4" Thick x 18" Wide
1/2" Thick x 20" Wide



400 Ton 14' Brake

FORMING CAPACITIES

20 GA Min Thickness
3/8" up to 12' Long Max
1/2" up to 6' Long
* 4 Press Brakes in house

Iron Worker
(90 Ton Capacity)

90 Ton Piranha With Six Work Stations

CNC Punching

1/4" 4' x 8' Maximum

Plasma Cutting

Up to 1-1/4" Plate 4' x 8' Table

Powder Coating

Standard & Custom Colors

Copper/Notcher

4" x 6" x 3/8" PL

Welding

SMAW (Stick)

GMAW (MIG)

Stock Material

Structural Angles,
Channel, Flats and
Rounds also in stock.

H.R. Sheets & Plates

16 GA thru 3/8"

C.R. Sheets

10 GA thru 18 GA

Galv. Sheets

10 GA thru 20 GA

Checkered Plates

1/8", 3/16" & 1/4"

Expanded Metal

Various

Alum. Sheets & Plates

0.063" thru 1/2"

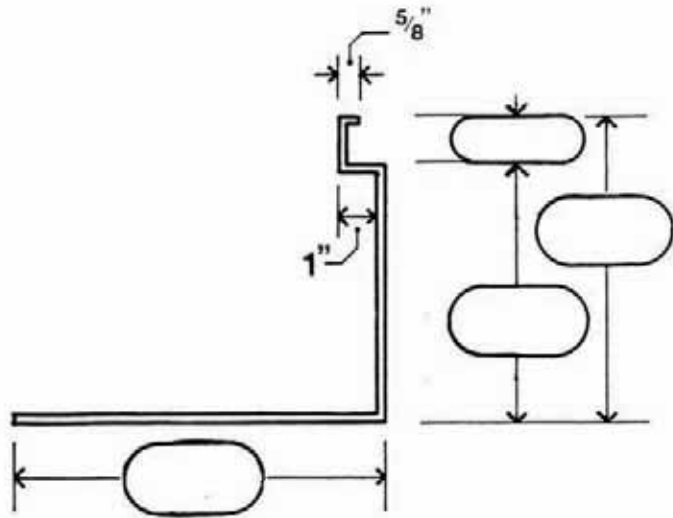
S.S. Sheets & Plates

20 GA thru 1/4"

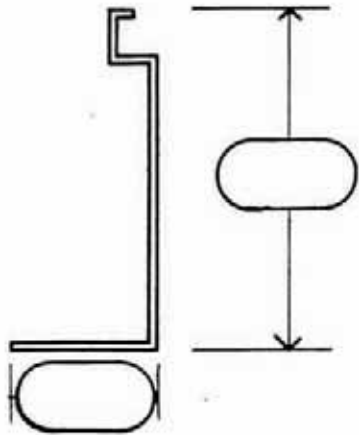


EBERL
IRON WORKS, INC.

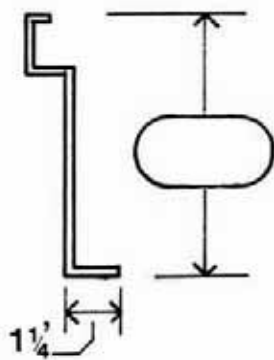
128 Sycamore Street
Buffalo, NY 14204
1-800-285-3056
Fx: 716-854-1184
www.stairpans.com
Sales@eberliron.com



Quantity Gauge Length Mark



Quantity Gauge Length Mark

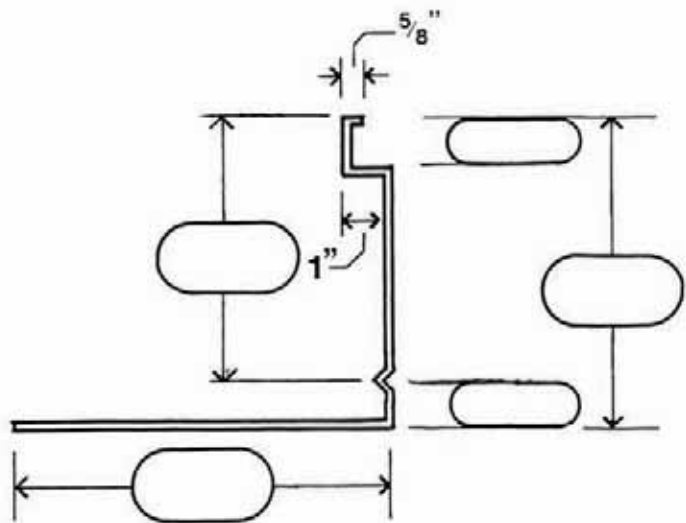


Quantity Gauge Length Mark

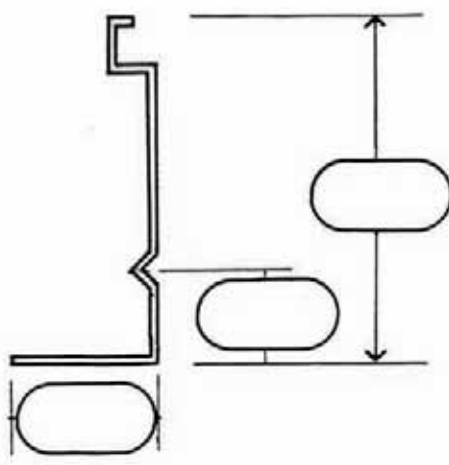
EBERL
IRON WORKS, INC.

Ph: 716-854-7633 * Fax: 716-854-1184

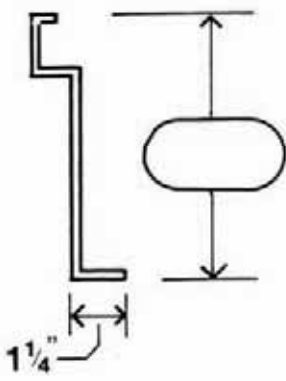
CUSTOMER	SCALE
CUSTOMER ORDER NO.	DATE
CUSTOMER JOB NAME	Pan Type
EBERL SHOP ORDER NO.	1A



Quantity Gauge Length Mark



Quantity Gauge Length Mark

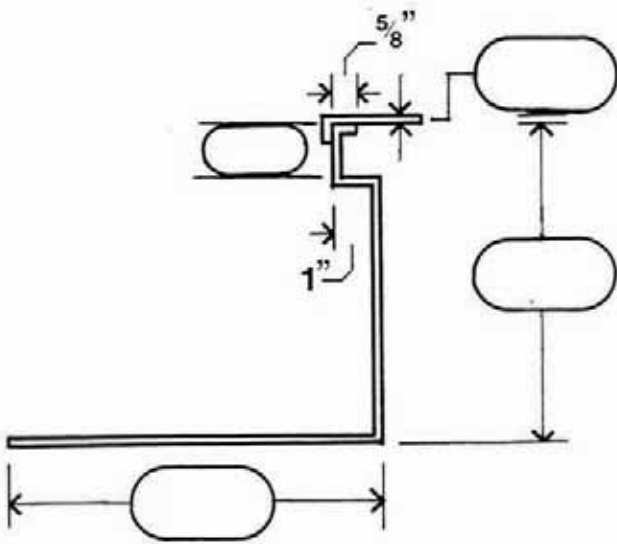


Quantity Gauge Length Mark

EBERL
IRON WORKS, INC.

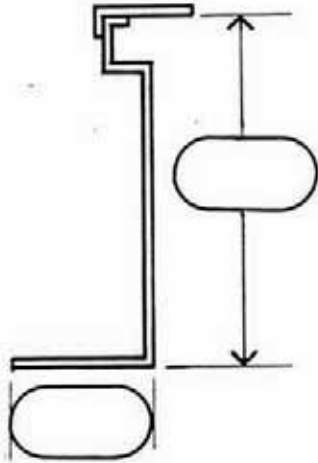
Ph: 716-854-7633 * Fax: 716-854-1184

CUSTOMER	SCALE
CUSTOMER ORDER NO.	DATE
CUSTOMER JOB NAME	Pan Type
EBERL SHOP ORDER NO.	1B



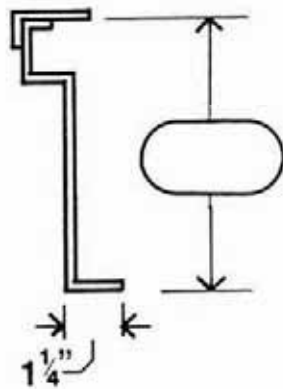
Quantity Gauge Length Mark

Quantity	Gauge	Length	Mark



Quantity Gauge Length Mark

Quantity	Gauge	Length	Mark



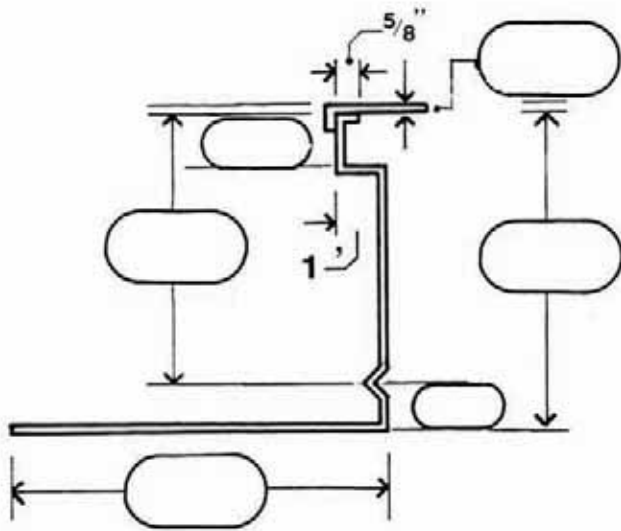
Quantity Gauge Length Mark

Quantity	Gauge	Length	Mark

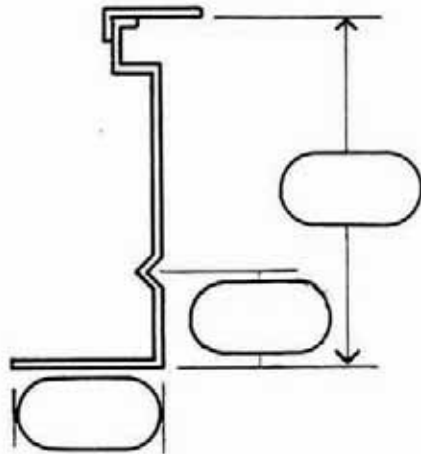
EBERL
IRON WORKS, INC.

Ph: 716-854-7633 * Fax: 716-854-1184

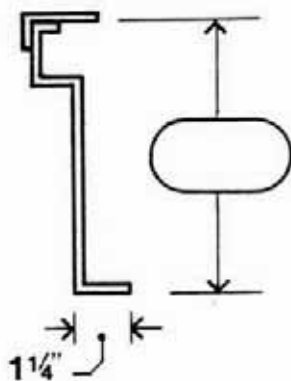
CUSTOMER	SCALE
CUSTOMER ORDER NO.	DATE
CUSTOMER JOB NAME	Pan Type
EBERL SHOP ORDER NO.	1C



Quantity Gauge Length Mark



Quantity Gauge Length Mark

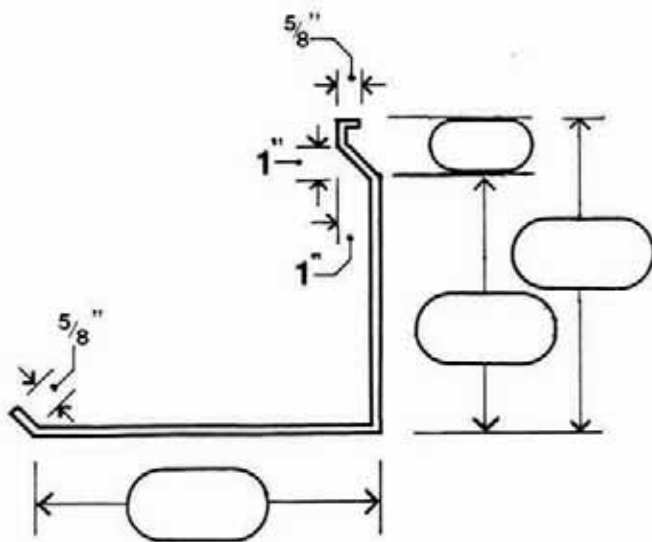


Quantity Gauge Length Mark

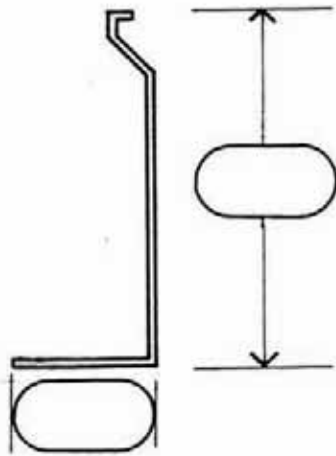
EBERL
IRON WORKS, INC.

Ph: 716-854-7633 * Fax: 716-854-1184

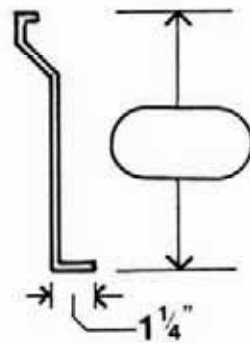
CUSTOMER	SCALE
CUSTOMER ORDER NO.	DATE
CUSTOMER JOB NAME	Pan Type
EBERL SHOP ORDER NO.	1D



Quantity Gauge Length Mark



Quantity Gauge Length Mark

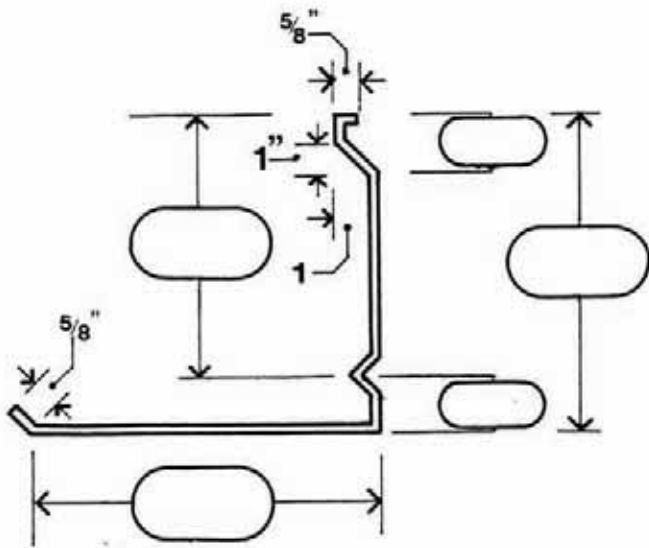


Quantity Gauge Length Mark

EBERL
IRON WORKS, INC.

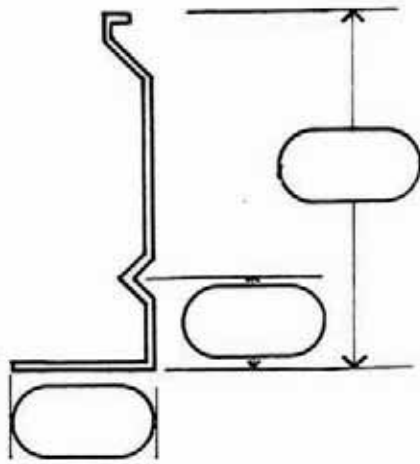
Ph: 716-854-7633 * Fax: 716-854-1184

CUSTOMER	SCALE
CUSTOMER ORDER NO.	DATE
CUSTOMER JOB NAME	Pan Type
EBERL SHOP ORDER NO.	2A



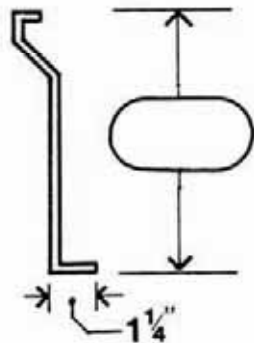
Quantity Gauge Length Mark

Quantity	Gauge	Length	Mark



Quantity Gauge Length Mark

Quantity	Gauge	Length	Mark



Quantity Gauge Length Mark

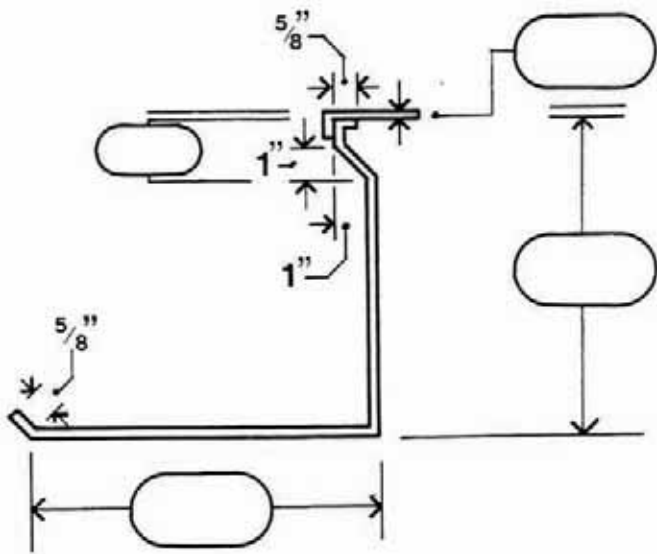
Quantity	Gauge	Length	Mark

EBERL

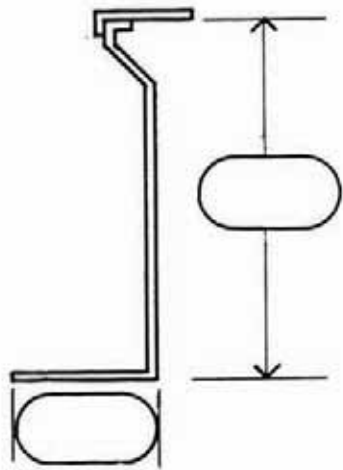
IRON WORKS, INC.

Ph: 716-854-7633 * Fax: 716-854-1184

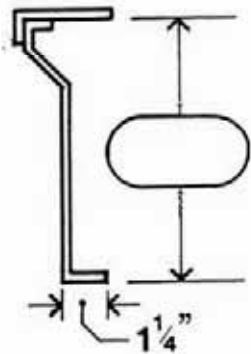
CUSTOMER	SCALE
CUSTOMER ORDER NO.	DATE
CUSTOMER JOB NAME	Pan Type
EBERL SHOP ORDER NO.	2B



Quantity Gauge Length Mark



Quantity Gauge Length Mark

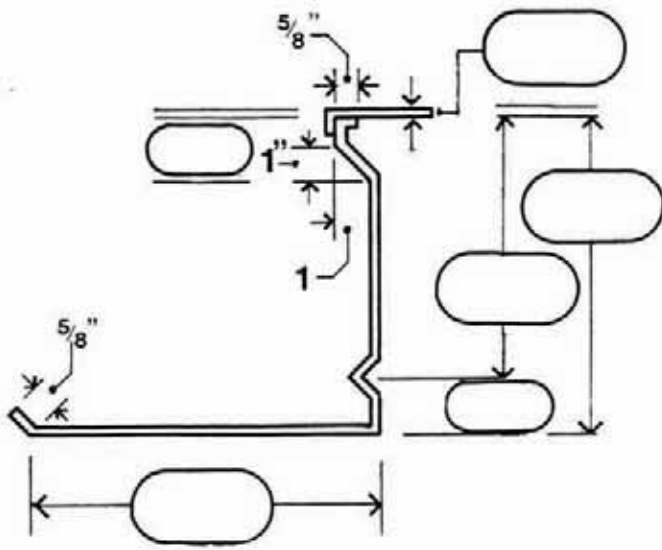


Quantity Gauge Length Mark

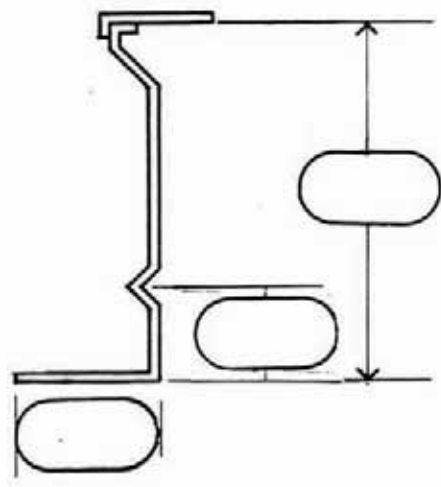
EBERL
IRON WORKS, INC.

Ph: 716-854-7633 * Fax: 716-854-1184

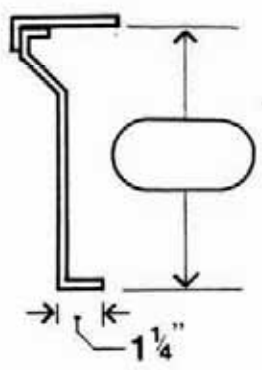
CUSTOMER	SCALE
CUSTOMER ORDER NO.	DATE
CUSTOMER JOB NAME	Pan Type
EBERL SHOP ORDER NO.	2C



Quantity Gauge Length Mark



Quantity Gauge Length Mark

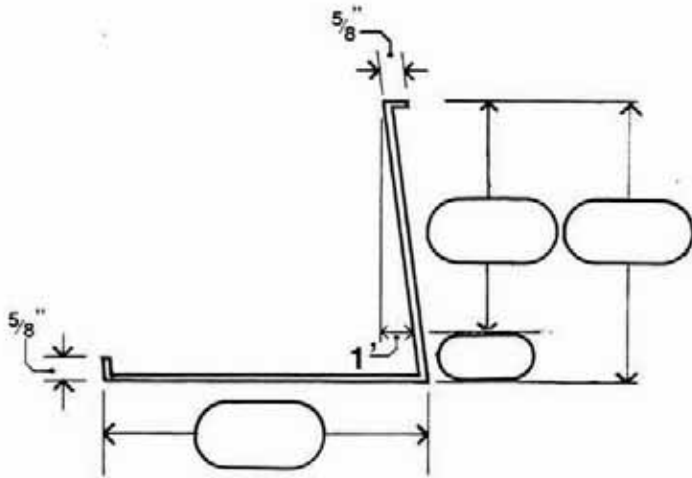


Quantity Gauge Length Mark

EBERL
IRON WORKS, INC.

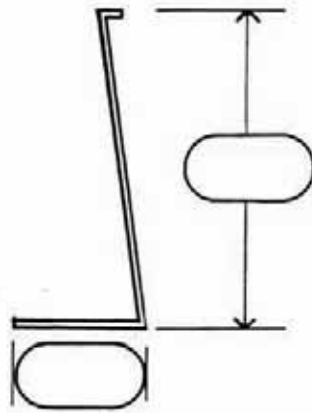
Ph: 716-854-7633 * Fax: 716-854-1184

CUSTOMER	SCALE
CUSTOMER ORDER NO.	DATE
CUSTOMER JOB NAME	Pan Type
EBERL SHOP ORDER NO.	2D



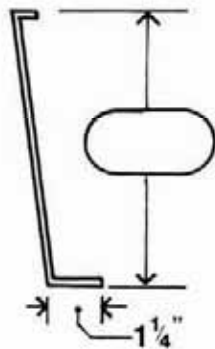
Quantity Gauge Length Mark

Quantity	Gauge	Length	Mark



Quantity Gauge Length Mark

Quantity	Gauge	Length	Mark



Quantity Gauge Length Mark

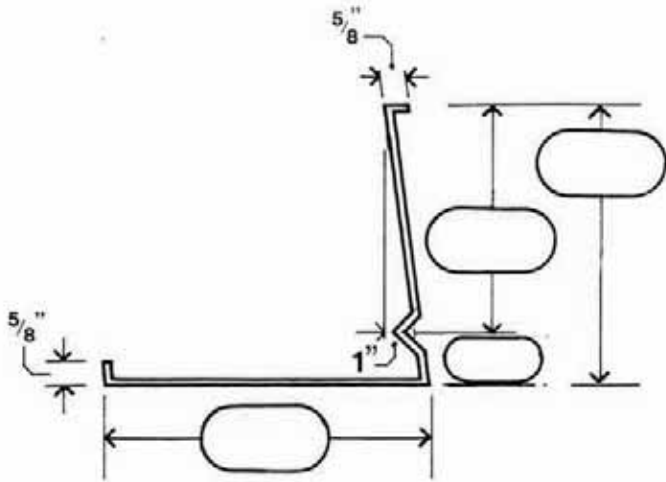
Quantity	Gauge	Length	Mark

EBERL

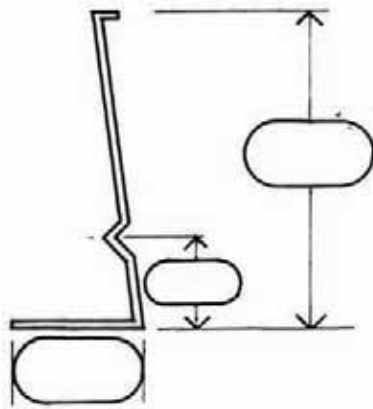
IRON WORKS, INC.

Ph: 716-854-7633 * Fax: 716-854-1184

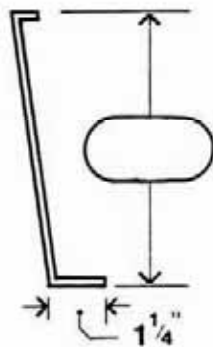
CUSTOMER	SCALE
CUSTOMER ORDER NO.	DATE
CUSTOMER JOB NAME	Pan Type
EBERL SHOP ORDER NO.	3A



Quantity Gauge Length Mark



Quantity Gauge Length Mark

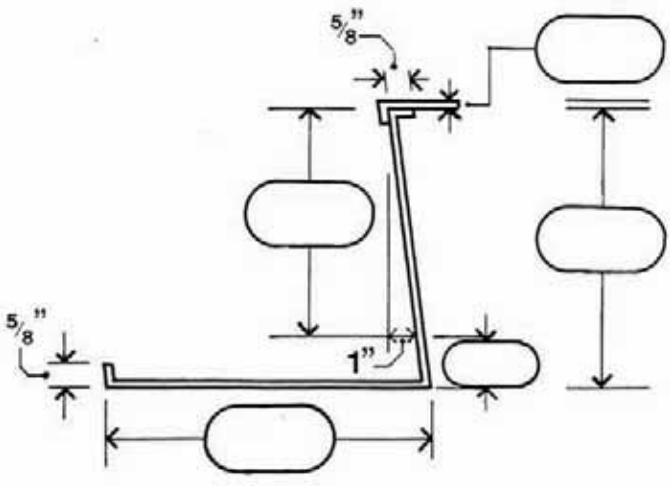


Quantity Gauge Length Mark

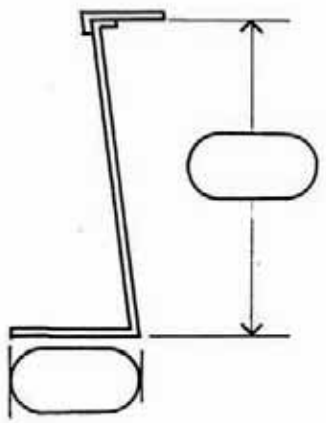
EBERL
IRON WORKS, INC.

Ph: 716-854-7633 * Fax: 716-854-1184

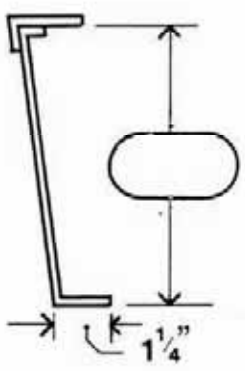
CUSTOMER	SCALE
CUSTOMER ORDER NO.	DATE
CUSTOMER JOB NAME	Pan Type
EBERL SHOP ORDER NO.	3B



Quantity Gauge Length Mark



Quantity Gauge Length Mark

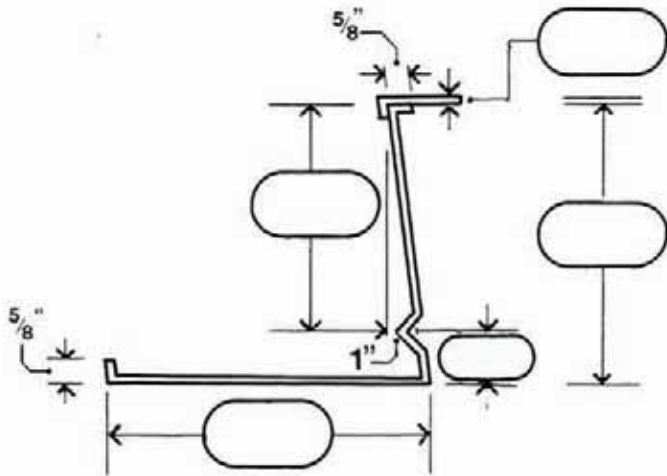


Quantity Gauge Length Mark

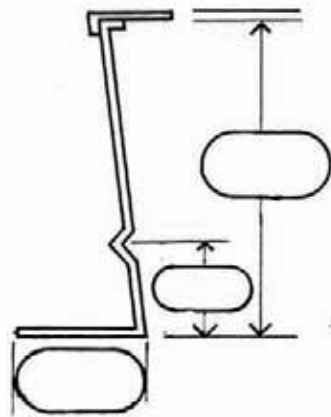
EBERL
IRON WORKS, INC.

Ph: 716-854-7633 * Fax: 716-854-1184

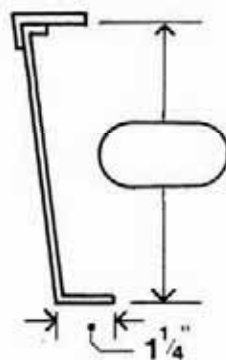
CUSTOMER	SCALE
CUSTOMER ORDER NO.	DATE
CUSTOMER JOB NAME	Pan Type
EBERL SHOP ORDER NO.	3C



Quantity Gauge Length Mark



Quantity Gauge Length Mark

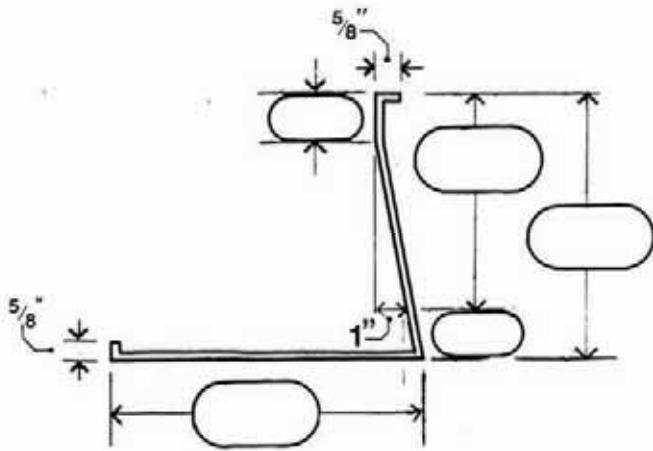


Quantity Gauge Length Mark

EBERL
IRON WORKS, INC.

Ph: 716-854-7633 * Fax: 716-854-1184

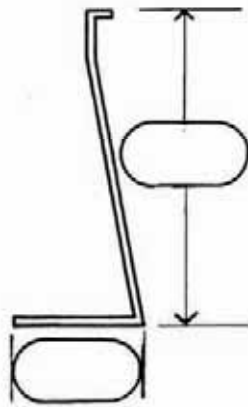
CUSTOMER	SCALE
CUSTOMER ORDER NO.	DATE
CUSTOMER JOB NAME	Pan Type
EBERL SHOP ORDER NO.	3D



Nominal Tread
[not including 1" nosing]

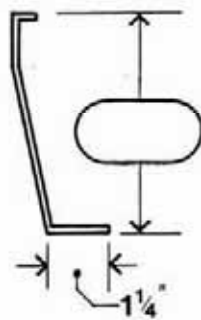
Quantity Gauge Length Mark

Quantity	Gauge	Length	Mark



Quantity Gauge Length Mark

Quantity	Gauge	Length	Mark



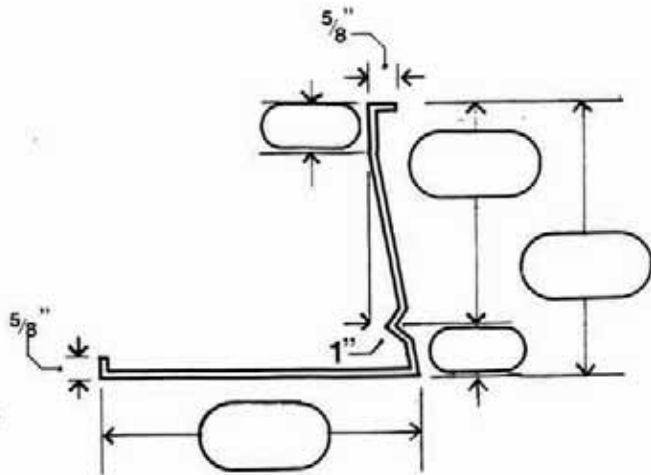
Quantity Gauge Length Mark

Quantity	Gauge	Length	Mark

EBERL
IRON WORKS, INC.

Ph: 716-854-7633 * Fax: 716-854-1184

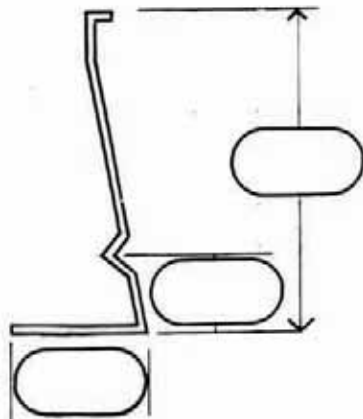
CUSTOMER	SCALE
CUSTOMER ORDER NO.	DATE
CUSTOMER JOB NAME	Pan Type
EBERL SHOP ORDER NO.	4A



Nominal Tread
[not including 1" nosing]

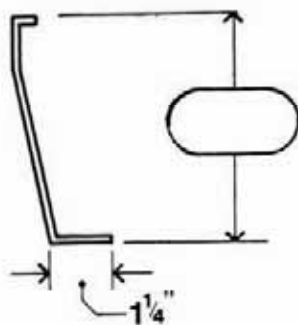
Quantity Gauge Length Mark

Quantity	Gauge	Length	Mark



Quantity Gauge Length Mark

Quantity	Gauge	Length	Mark



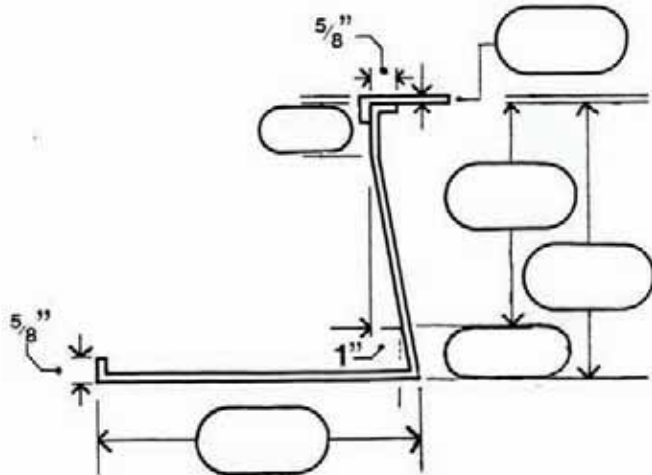
Quantity Gauge Length Mark

Quantity	Gauge	Length	Mark

EBERL
IRON WORKS, INC.

Ph: 716-854-7633 * Fax: 716-854-1184

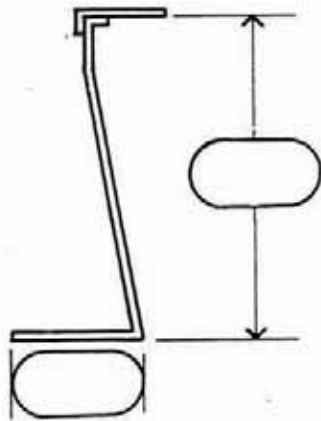
CUSTOMER	SCALE
CUSTOMER ORDER NO.	DATE
CUSTOMER JOB NAME	Pan Type
EBERL SHOP ORDER NO.	4B



Nominal Tread
[not including 1" nosing]

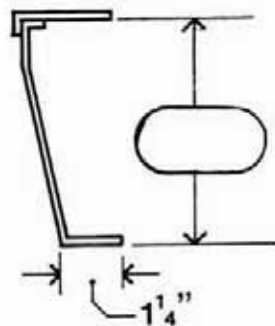
Quantity Gauge Length Mark

Quantity	Gauge	Length	Mark



Quantity Gauge Length Mark

Quantity	Gauge	Length	Mark



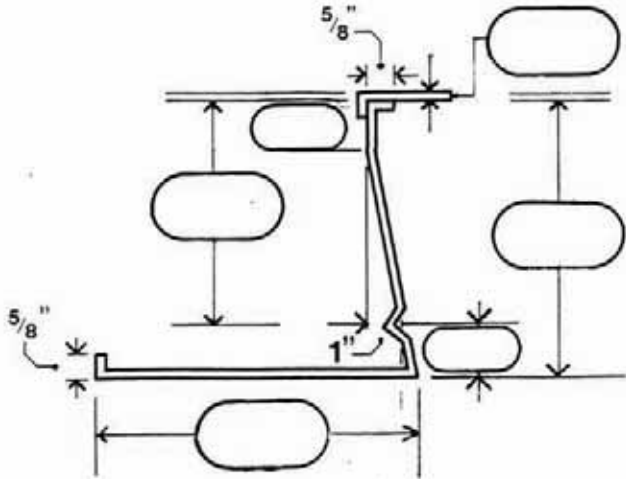
Quantity Gauge Length Mark

Quantity	Gauge	Length	Mark

EBERL
IRON WORKS, INC.

Ph: 716-854-7633 * Fax: 716-854-1184

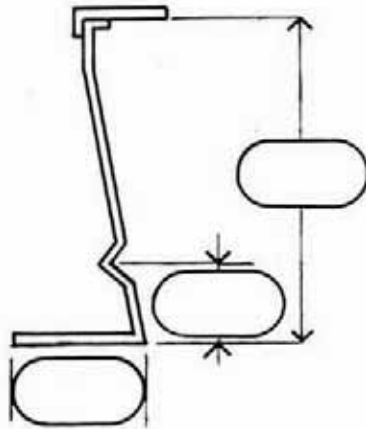
CUSTOMER	SCALE
CUSTOMER ORDER NO.	DATE
CUSTOMER JOB NAME	Pan Type
EBERL SHOP ORDER NO.	4C



Nominal Tread
[not including 1" nosing]

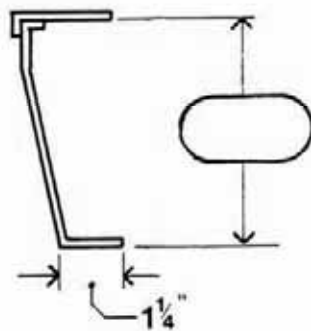
Quantity Gauge Length Mark

Quantity	Gauge	Length	Mark



Quantity Gauge Length Mark

Quantity	Gauge	Length	Mark



Quantity Gauge Length Mark

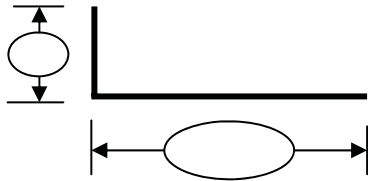
Quantity	Gauge	Length	Mark

EBERL
IRON WORKS, INC.

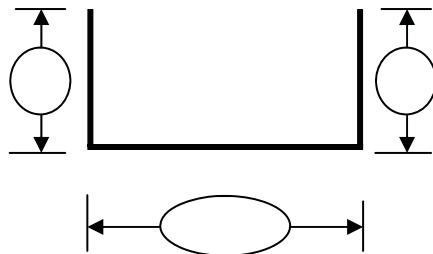
Ph: 716-854-7633 * Fax: 716-854-1184

CUSTOMER	SCALE
CUSTOMER ORDER NO.	DATE
CUSTOMER JOB NAME	Pan Type
EBERL SHOP ORDER NO.	4D

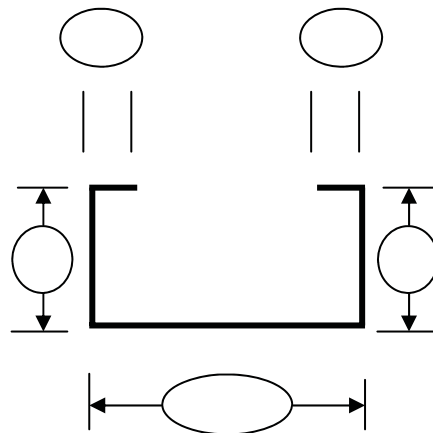
Landing Pans



Quantity Thickness Length Mark



Quantity Thickness Length Mark

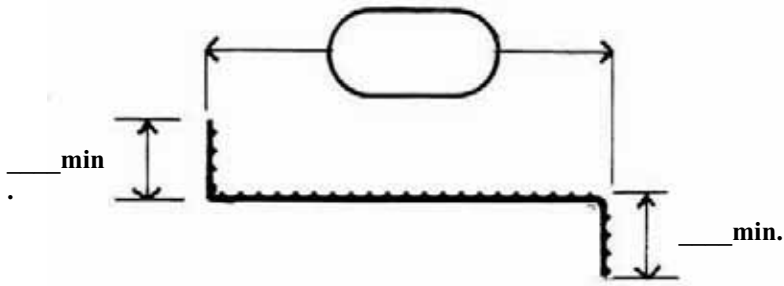


Quantity Thickness Length Mark

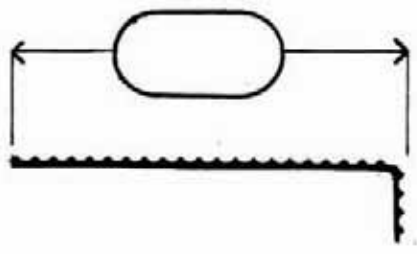
EBERL
IRON WORKS, INC.

Ph: 716-854-7633 * Fax: 716-854-1184

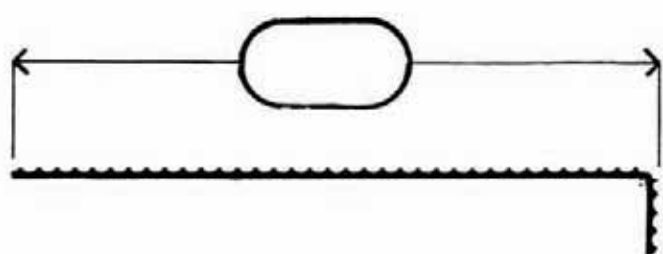
CUSTOMER	SCALE
CUSTOMER ORDER NO.	DATE
CUSTOMER JOB NAME	Pan Type
EBERL SHOP ORDER NO.	LP



Quantity	Thickness of		Mark
	Floor Plate	Length	



Quantity	Thickness of		Mark
	Floor Plate	Length	



Quantity	Thickness of		Mark
	Floor Plate	Length	

Thickness of Floor Plate _____
 1/8" _____
 3/16" _____
 1/4" _____

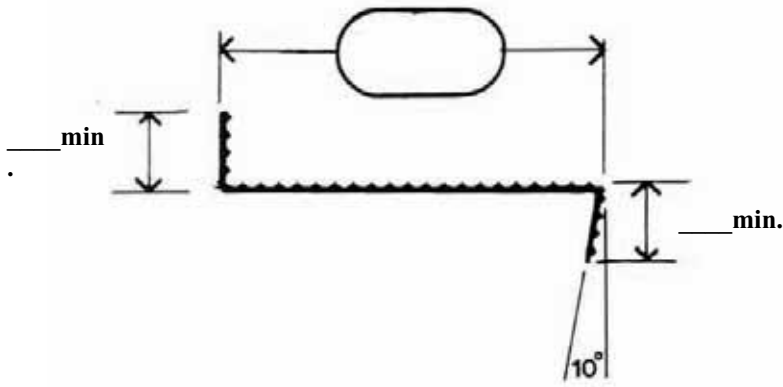
Minimum Outside Dimension of Lip _____
 1" _____
 1-1/2" _____
 1-1/2" _____

NOTE: Also available in aluminum tread plate

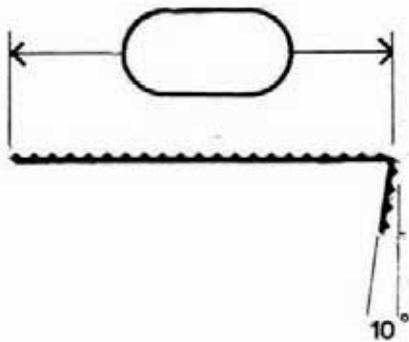
EBERL
 IRON WORKS, INC.

Ph: 716-854-7633 * Fax: 716-854-1184 25

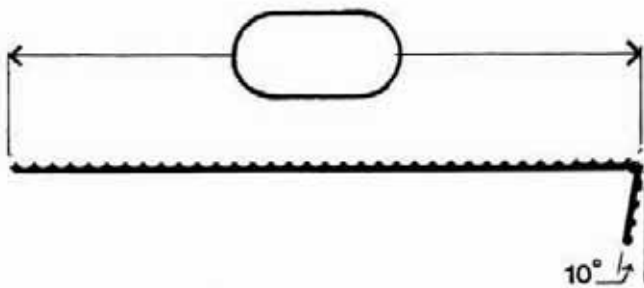
CUSTOMER	SCALE
CUSTOMER ORDER NO.	DATE
CUSTOMER JOB NAME	Tread Type
EBERL SHOP ORDER NO.	20



Quantity	Thickness of		Mark
	Floor Plate	Length	



Quantity	Thickness of		Mark
	Floor Plate	Length	



Quantity	Thickness of		Mark
	Floor Plate	Length	

Thickness of Floor Plate _____

- 1/8"
- 3/16"
- 1/4"

Minimum Outside Dimension of Lip _____

- 1"
- 1-1/2"
- 1-1/2"

NOTE: Also available in aluminum tread plate

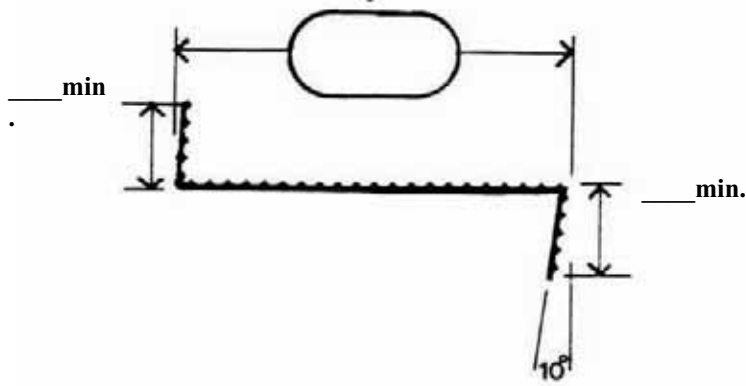
EBERL

IRON WORKS, INC.

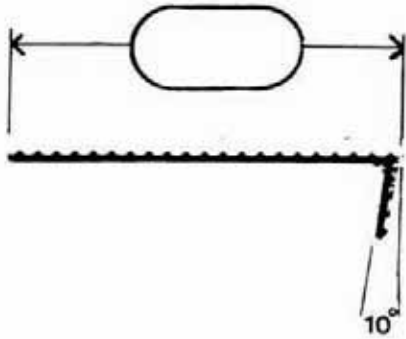
Ph: 716-854-7633 * Fax: 716-854-1184

26

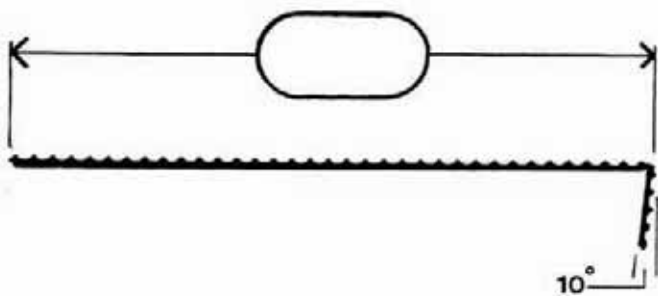
CUSTOMER	SCALE
CUSTOMER ORDER NO.	DATE
CUSTOMER JOB NAME	Tread Type
EBERL SHOP ORDER NO.	21



Quantity	Thickness of		Mark
	Floor Plate	Length	



Quantity	Thickness of		Mark
	Floor Plate	Length	



Quantity	Thickness of		Mark
	Floor Plate	Length	

Thickness of Floor Plate _____

- 1/8"
- 3/16"
- 1/4"

Minimum Outside Dimension of Lip _____

- 1"
- 1-1/2"
- 1-1/2"

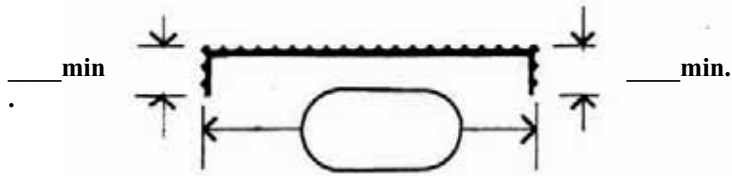
NOTE: Also available in aluminum tread plate

EBERL

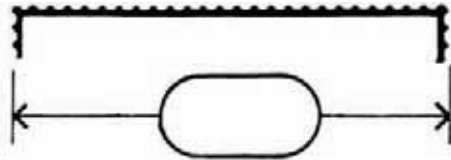
IRON WORKS, INC.

Ph: 716-854-7633 * Fax: 716-854-1184

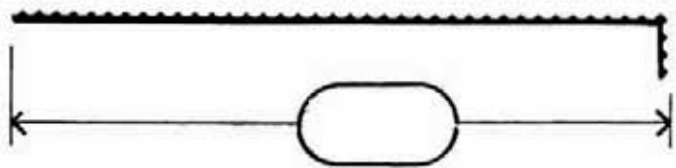
CUSTOMER	SCALE
CUSTOMER ORDER NO.	DATE
CUSTOMER JOB NAME	Tread Type
EBERL SHOP ORDER NO.	22



Quantity	Thickness of		Mark
	Floor Plate	Length	



Quantity	Thickness of		Mark
	Floor Plate	Length	



Quantity	Thickness of		Mark
	Floor Plate	Length	

Thickness of Floor Plate _____

- 1/8"
- 3/16"
- 1/4"

Minimum Outside Dimension of Lip _____

- 1"
- 1-1/2"
- 1-1/2"

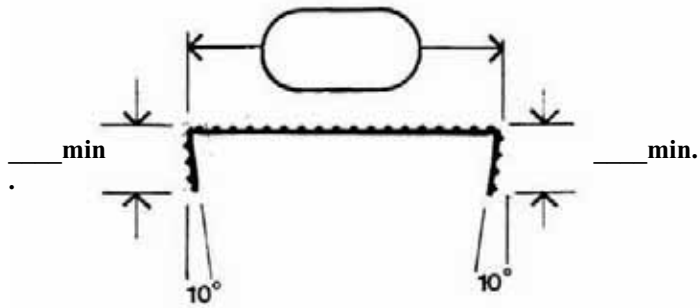
NOTE: Also available in aluminum tread plate

EBERL

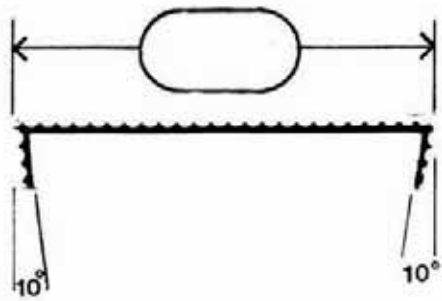
IRON WORKS, INC.

Ph: 716-854-7633 * Fax: 716-854-1184

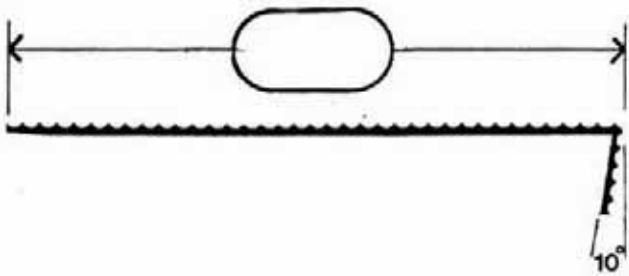
CUSTOMER	SCALE
CUSTOMER ORDER NO.	DATE
CUSTOMER JOB NAME	Tread Type
EBERL SHOP ORDER NO.	23



Quantity	Thickness of		Mark
	Floor Plate	Length	



Quantity	Thickness of		Mark
	Floor Plate	Length	



Quantity	Thickness of		Mark
	Floor Plate	Length	

Thickness of Floor Plate
 1/8"
 3/16"
 1/4"

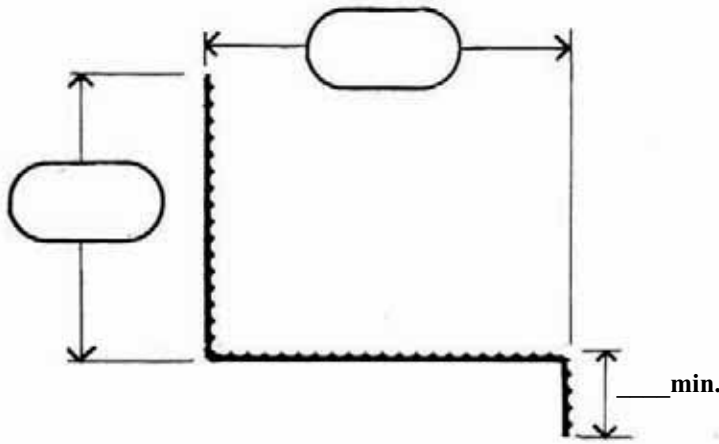
Minimum Outside Dimension of Lip
 1"
 1-1/2"
 1-1/2"

NOTE: Also available in aluminum tread plate

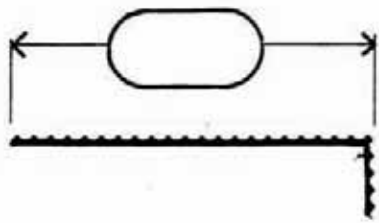
EBERL
 IRON WORKS, INC.

Ph: 716-854-7633 * Fax: 716-854-1184 29

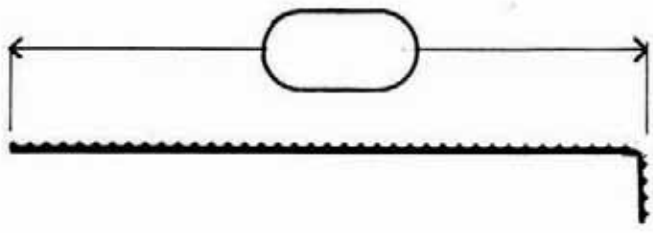
CUSTOMER	SCALE
CUSTOMER ORDER NO.	DATE
CUSTOMER JOB NAME	Tread Type
EBERL SHOP ORDER NO.	24



Quantity	Thickness of		Mark
	Floor Plate	Length	



Quantity	Thickness of		Mark
	Floor Plate	Length	



Quantity	Thickness of		Mark
	Floor Plate	Length	

Thickness of Floor Plate _____

1/8" _____

3/16" _____

1/4" _____

Minimum Outside Dimension of Lip _____

1" _____

1-1/2" _____

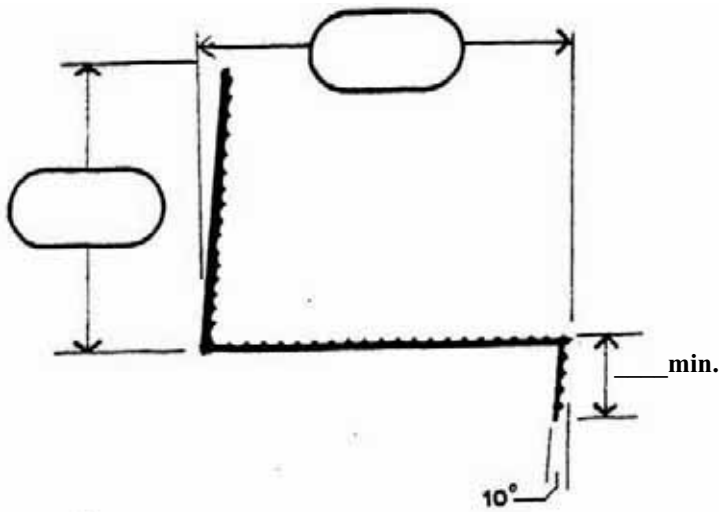
1-1/2" _____

NOTE: Also available in aluminum tread plate

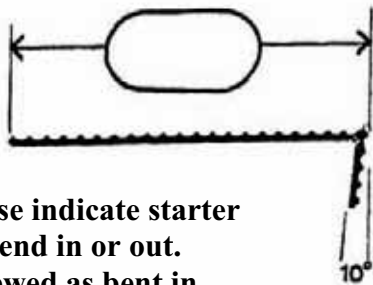
EBERL
IRON WORKS, INC.

Ph: 716-854-7633 * Fax: 716-854-1184 30

CUSTOMER	SCALE
CUSTOMER ORDER NO.	DATE
CUSTOMER JOB NAME	Tread Type
EBERL SHOP ORDER NO.	25

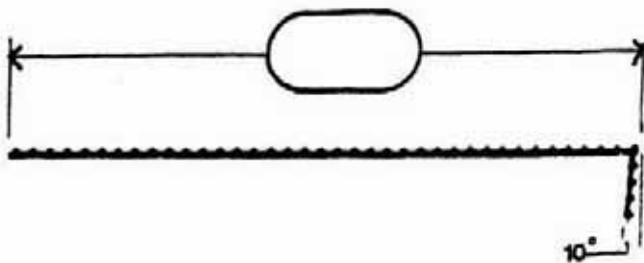


Quantity	Thickness of		Mark
	Floor Plate	Length	



***Please indicate starter bend in or out. Viewed as bent in.**

Quantity	Thickness of		Mark
	Floor Plate	Length	



Quantity	Thickness of		Mark
	Floor Plate	Length	

Thickness of Floor Plate
 1/8"
 3/16"
 1/4"

Minimum Outside Dimension of Lip
 1"
 1-1/2"
 1-1/2"

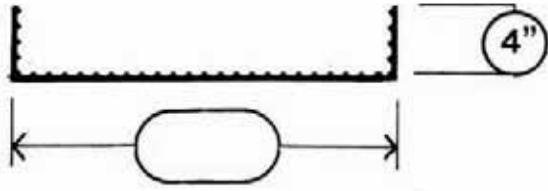
NOTE: Also available in aluminum tread plate

EBERL

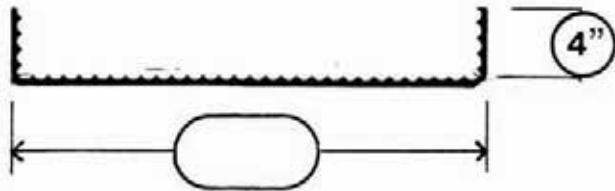
IRON WORKS, INC.

Ph: 716-854-7633 * Fax: 716-854-1184

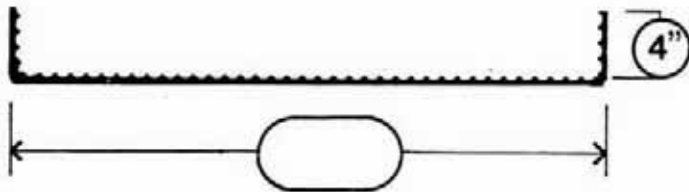
CUSTOMER	SCALE
CUSTOMER ORDER NO.	DATE
CUSTOMER JOB NAME	Tread Type
EBERL SHOP ORDER NO.	26



Quantity	Thickness of		Mark
	Floor Plate	Length	



Quantity	Thickness of		Mark
	Floor Plate	Length	



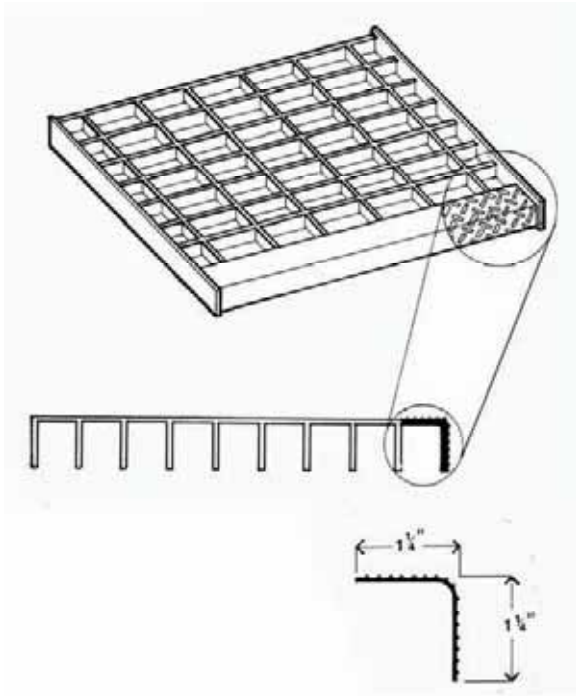
Quantity	Thickness of		Mark
	Floor Plate	Length	

EBERL
IRON WORKS, INC.

Ph: 716-854-7633 * Fax: 716-854-1184

CUSTOMER	SCALE
CUSTOMER ORDER NO.	DATE
CUSTOMER JOB NAME	Tread Type
EBERL SHOP ORDER NO.	27

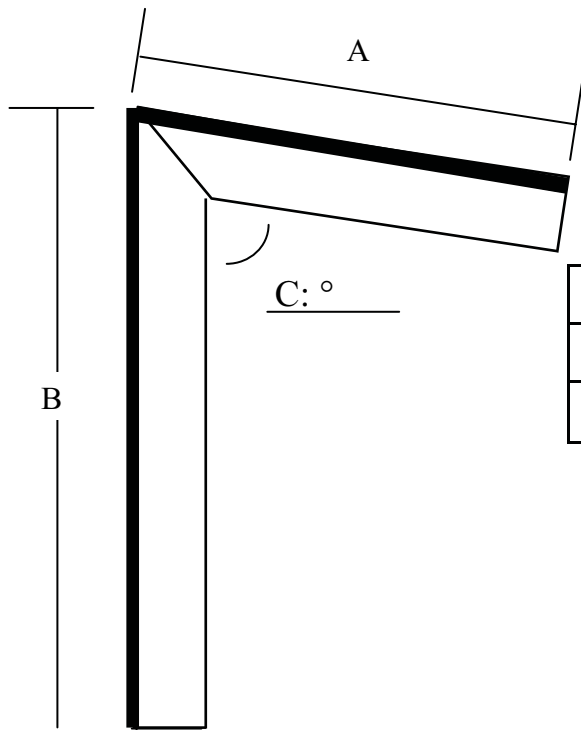
NOSINGS



Cut to Length or in Random Lengths

Quantity	Thickness of Floor Plate	Length	Mark

NOTE: Nosings are available in 1/8" & 3/16" Floor Plate and Aluminum Tread Plate



1-1/4" X 1-1/4" X 3/16" CARRIER ANGLES

Quantity	A	B	C

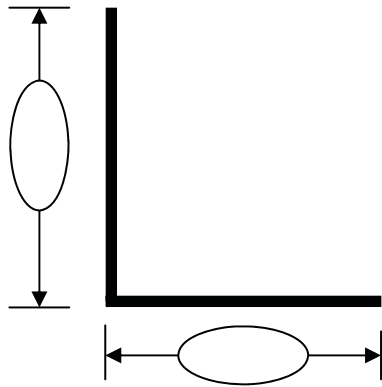
Please specify if you use a different riser support.

EBERL
IRON WORKS, INC.

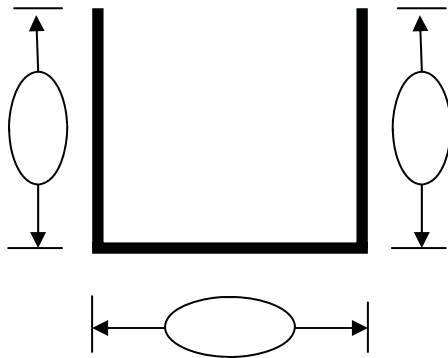
Ph: 716-854-7633 * Fax: 716-854-1184 33

CUSTOMER	SCALE
CUSTOMER ORDER NO.	DATE
CUSTOMER JOB NAME	Product Type
EBERL SHOP ORDER NO.	N/CA

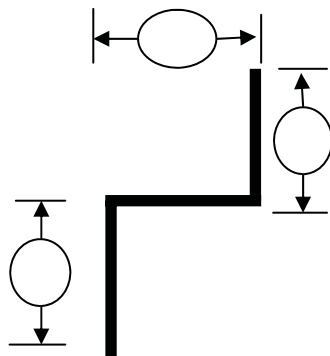
Bent Plate



Quantity Thickness Length Mark



Quantity Thickness Length Mark



Quantity Thickness Length Mark

All dimensions O.D.
unless noted by customer.

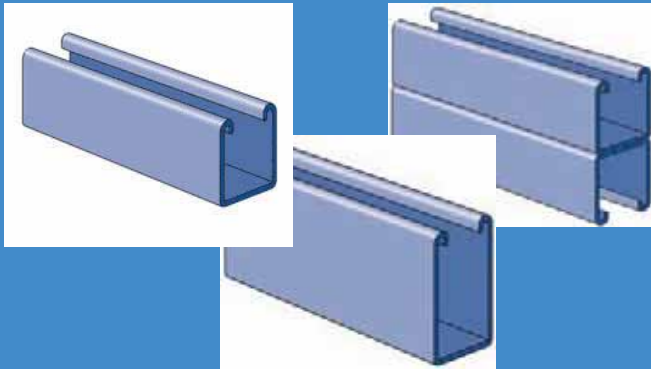
EBERL
IRON WORKS, INC.

Ph: 716-854-7633 * Fax: 716-854-1184 34

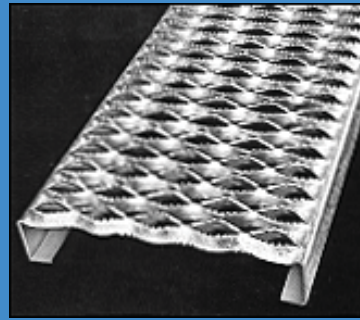
CUSTOMER	SCALE
CUSTOMER ORDER NO.	DATE
CUSTOMER JOB NAME	Product Type
EBERL SHOP ORDER NO.	BP

Unistrut Buffalo a division of **Eberl Iron Works, Inc.**
 also Specializes in the Distribution of These Products.

Unistrut Channel



Gratings

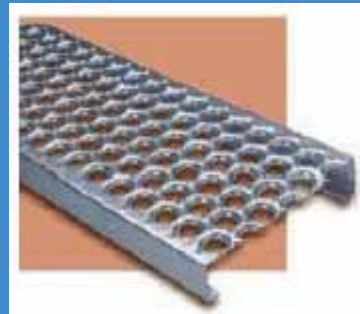
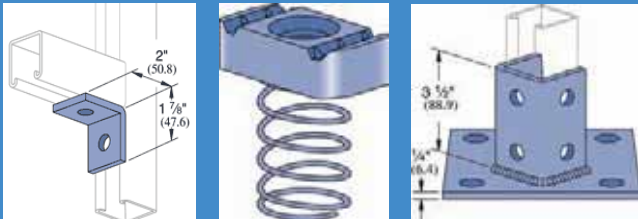


Grip Strut



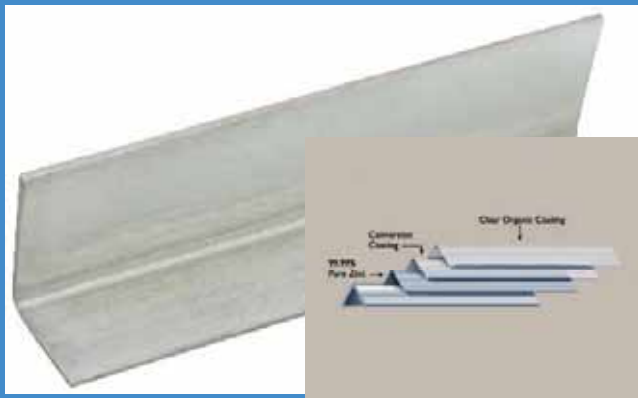
**Serrated and Non-Serrated
Plank Gratings**

Unistrut Parts & Fittings



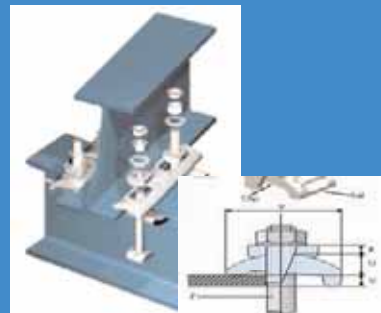
Perf-O-Grip

**Flo-Form In-line
Galvanized Angle**



**Greater Strength and Less
Cost than Hot Dip Galvanized
Structural Angle.**

**Lindapter
Steel Connection System**



Girder Clamps



**Holo-Bolt Steel
Cavity Connections**

For more information on any of these products contact our customer service department at 1-800-285-3056 or visit us online at www.stairpans.com.

Unistrut Buffalo
 a division of **Eberl Iron Works, Inc.**

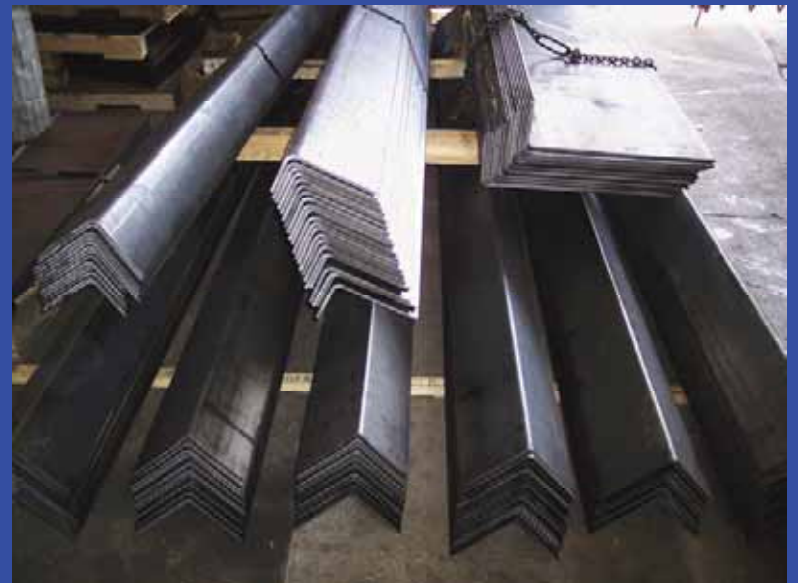


VISIT US AT: WWW.STAIRPANS.COM TODAY,
AND BEGIN REQUESTING YOUR QUOTES ONLINE.

StairPans & Treads



Bent Plate & Pour Stop



Eberl Iron Works, Inc.
128 Sycamore St.
Buffalo, NY 14204
Ph: 716-854-7633 1-800-285-3056
Fx: 716-854-1184
E-mail: Sales@eberliron.com
www.stairpans.com

Eberl Iron Works, Inc.
128 Sycamore St.
Buffalo, NY 14204
Ph: 716-854-7633 1-800-285-3056
Fx: 716-854-1184
E-mail: Sales@eberliron.com
www.stairpans.com