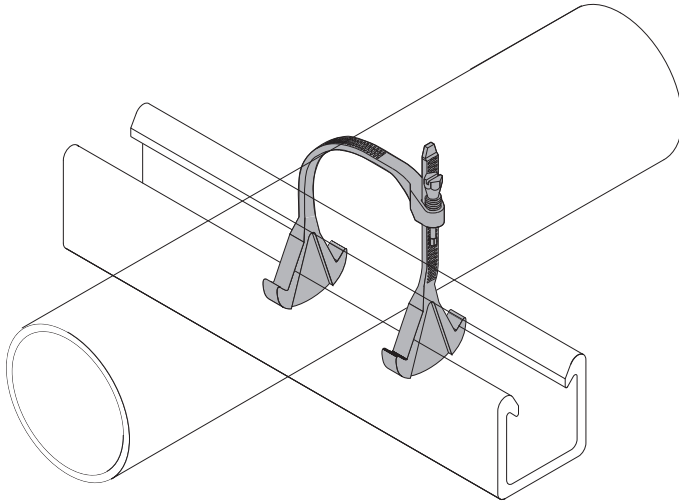


ADJUSTABLE PIPE CLAMPS



Unistrut Adjustable Pipe Clamps are manufactured from glass-reinforced polyurethane and are adjustable to accommodate a wide range of outside diameters. They can be utilized with a variety of piping systems including: PVC, fiberglass, copper, rigid steel conduit and PVC coated rigid steel conduit. Care should be taken not to exceed 3 ft./lbs. of torque on the adjustable pipe straps.

Part Number	O.D. Pipe Size (in.)	Design Load		Torque Ft/Lbs (N·m)	Wt/100 pcs Lbs (kg)
		Type 1 Lbs (kN)	Type 2 Lbs (kN)		
200-3100	½ – 1½	135 (0.6)	65 (0.3)	0.8 (1)	3 (1.4)
200-3110	1½ – 2¼	135 (0.6)	65 (0.3)	3 (4)	5 (2.3)
200-3120	2¼ – 3¼	145 (0.6)	70 (0.3)	3 (4)	5 (2.3)
200-3130	3 – 4	215 (1.0)	70 (0.3)	3 (4)	8 (3.6)
200-3140	4 – 6½	215 (1.0)	70 (0.3)	3 (4)	10 (4.5)

*Design loads shown represent a 3:1 safety factor.

Project: _____ Architect / Engineer: _____ Date: _____ Phone: _____ Contractor: _____ Address: _____ _____ Notes 1: _____ _____ Notes 2: _____ _____	Approval Stamp:
---	--