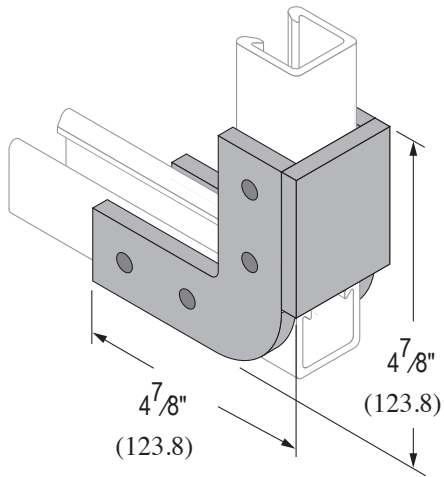


50PU-1508 (1½"),  
50PU-2008 (1⅝")

Wt/100 pcs: 27 Lbs (12.2 kg)



<b>Project:</b> _____	<b>Approval Stamp:</b>
<b>Architect / Engineer:</b> _____	
<b>Date:</b> _____ <b>Phone:</b> _____	
<b>Contractor:</b> _____	
<b>Address:</b> _____	
_____	
<b>Notes 1:</b> _____	
_____	
<b>Notes 2:</b> _____	
_____	