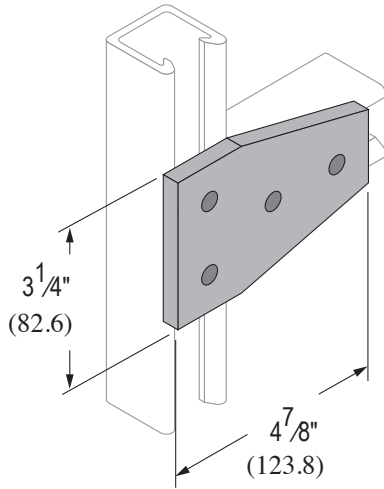


20P-2524, 20V-2524

W/100 pcs: 32 Lbs (14.5 kg)



| | |
|----------------------------------------|------------------------|
| Project: _____ | Approval Stamp: |
| Architect / Engineer: _____ | |
| Date: _____ Phone: _____ | |
| Contractor: _____ | |
| Address: _____ | |
| Notes 1: _____ | |
| Notes 2: _____ | |