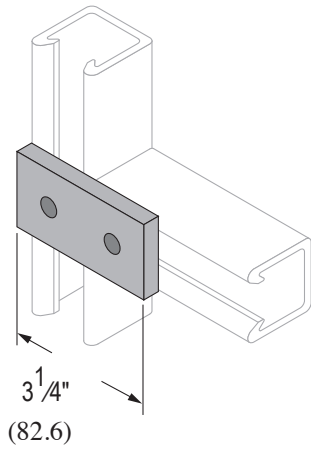


20P-2500, 20V-2500

Wt/100 pcs: 12 Lbs (5.4 kg)



Project: _____

Approval Stamp:

Architect / Engineer: _____

Date: _____ Phone: _____

Contractor: _____

Address: _____

Notes 1: _____

Notes 2: _____
